

PRODUCT SPECIFICATIONS

Model: Victory Sport (SC710DXW)

Manufacturer: Pride Mobility Products Ltd.

Internet Address: www.pridemobility.com

Document Information: INFINF2761/Rev A/November 2011

Model Number	SC710DXW
Weight Capacity	350 lbs. (158.75 kg)
Speed (Maximum) ¹	Up to 8 mph (12.9 km/h)
Ground Clearance ²	2.25 in. (5.7 cm)
Turning Radius ²	51.75 in. (131.4 cm)
Overall Length ²	47 in. (119.4 cm)
Overall Width ²	25.9 in. (65.7 cm)
Tires	Type: Solid Front and rear: 10 in. (25.4 cm)
Range Per Charge ^{1, 4}	Up to 11.14 miles (17.9 km)
Total Weight Without Batteries ^{2, 5}	176 lbs. (79.8 kg)
Heaviest Piece When Disassembled	Front Section: 68.5 lbs. (31 kg)
Standard Seating	Type: CRS Deluxe Weight: 54 lbs. (24.5 kg) Material: Black Vinyl Dimensions: 18 in. (45.7 cm) overall width 18 in. (45.7 cm) effective depth
Drive System	Rear-wheel drive, sealed transaxle, 24-volt DC motor
Dual Braking System	Regenerative and electromechanical
Battery Requirements ³	Two 12-volt, deep-cycle Size: 40 Ah
Battery Weight ⁶	32.5 lbs. (14.74 kg) each
Battery Charger	5-amp, off-board
Maximum Allowable Incline ⁷	8° (14.1%)
Maximum Angle Capacity	10° (17.6%)
Maximum Obstacle Climbing Ability	2 in. (5 cm)

¹ Varies with user weight, terrain type, battery amp-hour (Ah), battery charge, battery condition, and tire condition. This specification can be subject to a variance of +10%, -5%.

² Due to manufacturing tolerances and continual product improvement, this specification can be subject to a variance of (+ or -) 3%.

³ AGM or Gel-Cell type required. See IV. "Batteries and Charging".

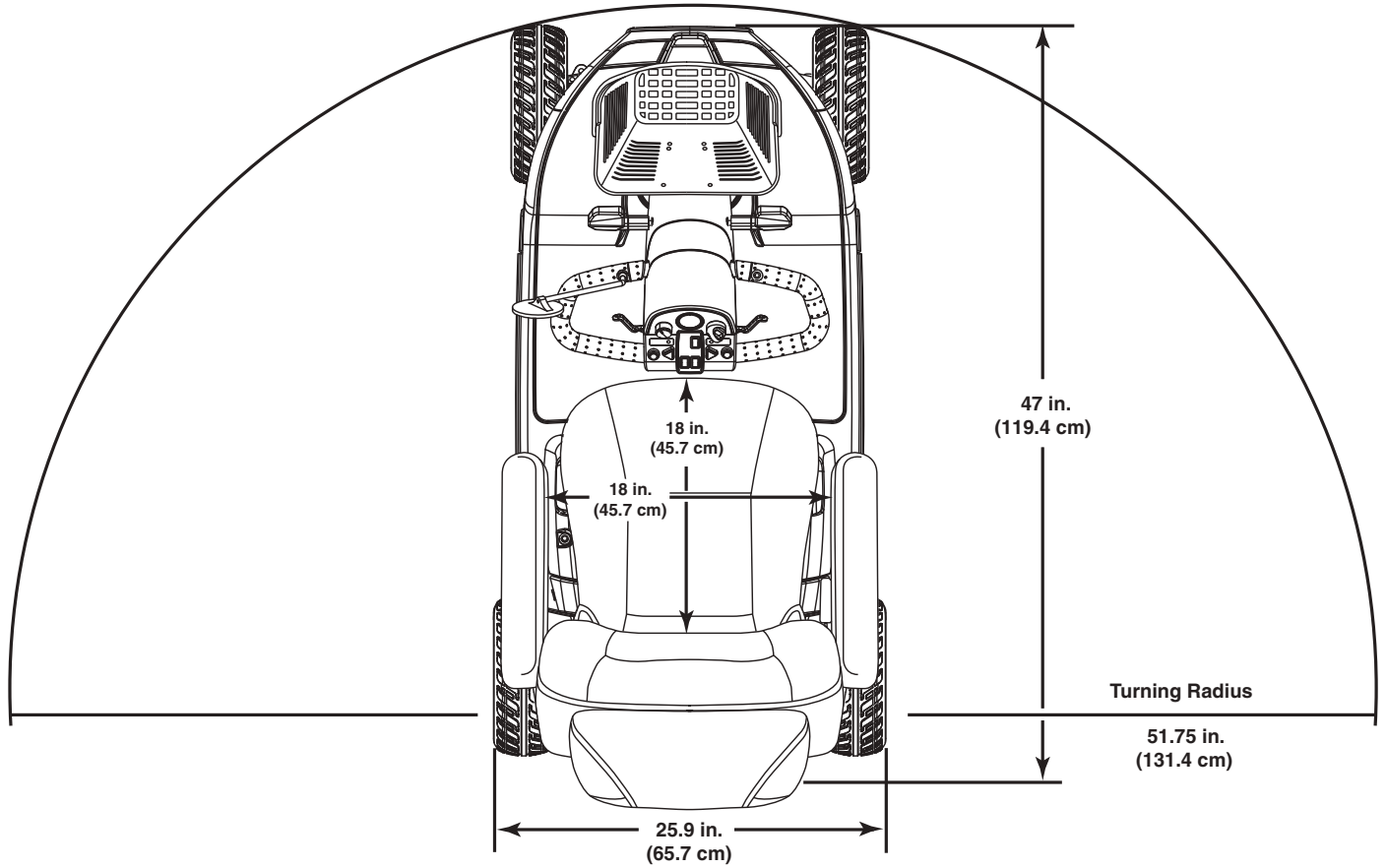
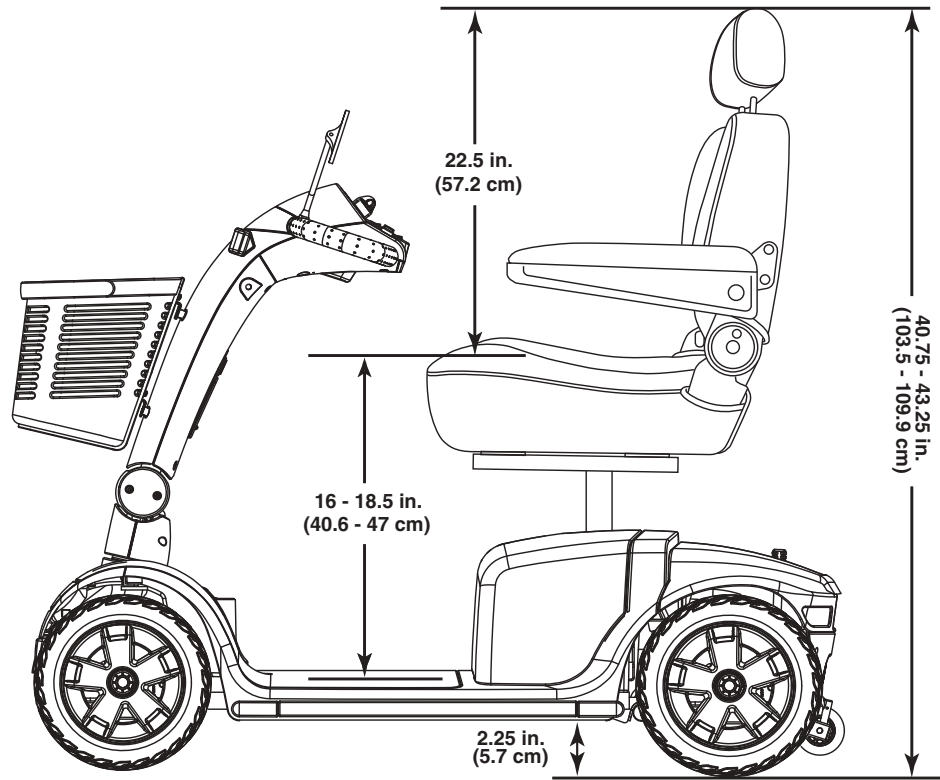
⁴ Tested in accordance with ANSI/RESNA, WC Vol 2, Section 4 & ISO 7176-4 standards. Results derived from theoretical calculation based on battery specifications and drive system performance. Test conducted at maximum weight capacity.

⁵ Includes standard seat.

⁶ Battery weight may vary based on manufacturer.

⁷ Tested in accordance with ISO7176-22, 2000 and ISO 7176-11, 1992 standards.

NOTE: This product conforms to all applicable ANSI/RESNA testing requirements and ISO 7176 series EN12184 standards. All specifications subject to change without notice.



I NFI NFB2761