

PRODUCT SPECIFICATIONS SHEET

Model: Go-Chair

Document Information: INFINF B3481/Rev B/July 2016

| | |
|--|--|
| Class of Use ⁷ | A |
| Weight Capacity | 300 lbs. (136 kg/21 stone 6 lbs.) |
| Maximum Speed ¹ | Up to 3.7 mph (5.95 km/h) |
| Ground Clearance ² | 1.6 in. (42 mm) at anti-tip bracket 1.8 in. (45 mm) at motor 1.9 in. (48 mm) at frame |
| Turning Radius ² | 25.4 in. (645.1 mm) |
| Overall Size ^{2, 6} | Length: 33 in. (838.2 mm) with front rigging 26 in. (660.4 mm) without front rigging Width: 22.6 in. (574.04 mm) |
| Drive Wheels | 9 in. (228.6 mm), solid |
| Caster Wheels | 6 in. (152.4 mm), solid |
| Rear Anti-tip Wheels | 3 in. (76.2 mm), solid |
| Suspension | Limited |
| Range ^{1, 4, 8} | 18 Ah: Up to 8.74 miles (14.06 km) 22 Ah: Up to 10.69 miles (17.2 km) |
| Component Weights ^{5, 2} | Front Section: 31 lbs. (14.06 kg) Rear Section: 36 lbs. (16.3 kg) Seat: 30 lbs. (13.6 kg) Batteries: 31 lbs. (14.06 kg) (battery box) |
| Drivetrain | Two motor, rear-wheel drive |
| Brakes | "Intelligent Braking" electronic regenerative, disc park brake |
| Batteries ³ | Two 18 Ah, 12 volt, deep-cycle Two 22 Ah, 12 volt, deep-cycle |
| Battery Charger | 18 Ah: 2-amp, off-board 22 Ah: 3.5-amp, off-board |
| Freewheel Operational Force | Less than 60 N |
| Drive Control Operational Force | Less than 5 N |
| Maximum Rated Slope | 6° (10.5%) |
| Maximum Obstacle Climbing Ability (Ascending/Descending) | 1.18 in. (30 mm) |
| Measured Sound Level (A-weighted) | Less than 65 dB |

¹ Varies with user weight, terrain type, battery amp-hour rating (Ah), battery charge, battery condition, tire type and tire condition. This specification can be subject to a variance of +10%, -5%.

² Due to manufacturing tolerances and continual product improvement, this specification can be subject to a variance of (+ or -) 3%.

³ AGM or Gel-Cell type required. See "Batteries and Charging".

⁴ Tested in accordance with ANSI/RESNA, WC Vol 2, Section 4 & ISO 7176-4 standards. Results derived from theoretical calculation based on battery specifications and drive system performance. Test conducted at maximum weight capacity.

⁵ Battery weight may vary based on manufacturer.

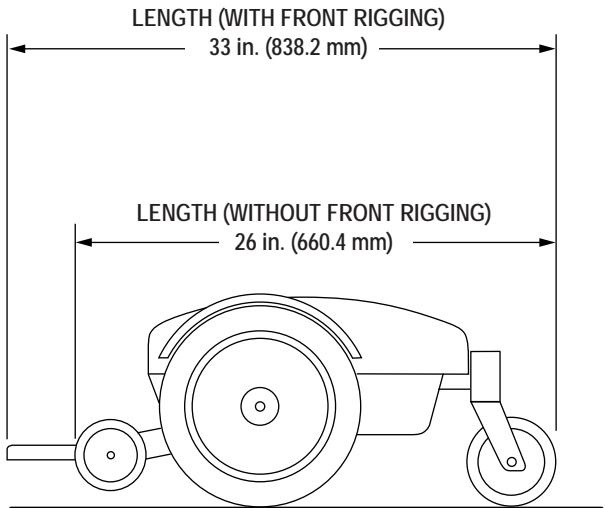
⁶ Dimensions listed are for power base only. Overall measurements will vary based on seating and accessory selections.

⁷ Using 22 Ah batteries.

⁸ Unit configured with 18 Ah batteries does not comply with AS/NZS 3695.2 and EN12184 standards.

NOTE: This product conforms to all applicable ANSI/RESNA, ISO 7176 series, AS/NZS 3695.2, and EN12184 standards. All specifications subject to change without notice.





TURNING RADIUS

